

BMP 500.S

ELECTRONIC FUEL DISPENSERS

 **TATSUNO EUROPE a.s.**

The fuel dispenser BMP 500.S serves for dispensing liquid oil products into road vehicles on commercial and retail outlets.

BMP 500.S is progressive single or double sided fuel dispenser with one or two hoses for dispensing optionally one or two products.

BMP 500.S is equipped with the high quality Japanese hydraulic system TATSUNO and the reliable electronic calculator.

Simple and attractive design with durable materials in addition to precise components and countless configurations lasts longer and offers certain benefit to their users.



NEW DESIGN



HYDRAULICS TATSUNO
(JAPAN)



GRAPHICS DISPLAYS



AUTOMATIC TEMPERATURE
VOLUME CORRECTION



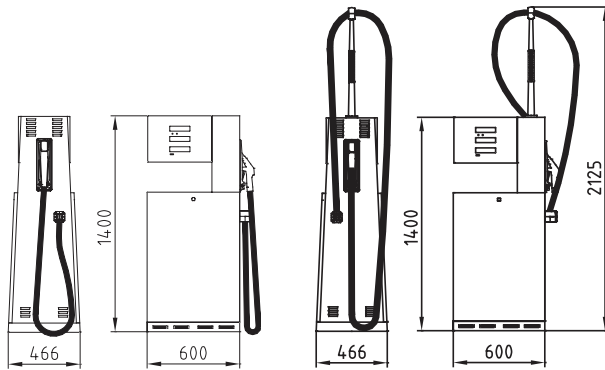
BMP 500.S

ELECTRONIC FUEL DISPENSERS



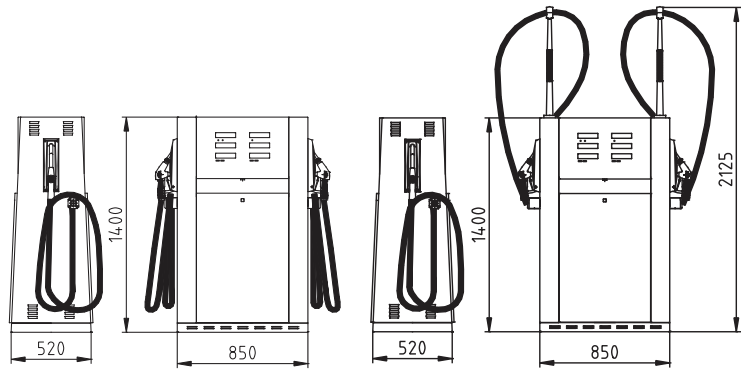
BMP 500.S JUNIOR

BMP 511.SD BMP 511.SD-HS



BMP 500.SX ECONOMY

BMP 522.SXD BMP 522.SXD-HS



SINGLE-SIDED DISPENSERS BMP 500.S

Product	Type	Hoses/Performance
1	BMP 511.SL(R)	1 × 40 L/min
2	BMP 522.SXL(R)	2 × 40 L/min

DOUBLE-SIDED DISPENSERS BMP 500.S

Product	Type	Hoses/Performance
1	BMP 511.SD	1 × 40 L/min
2	BMP 522.SXD	2 × 40 L/min

TECHNICAL & ENVIROMENTAL SPECIFICATION

Flow rates	Accuracy	Power supply	Ambient temperature	Temperature of fluid	Relative humidity
Standard speed flow rate: 40L/min	± 0.25% with minimum dispensed volume 2L (H – 5L, UH – 10L)	230/400 V AC, three phase 50 Hz	–20°C to +40°C (–40°C to +50°C with additional heating)	–40°C to + 50°C	5% to 95%
High speed flow rate (H): 80L/min					
Ultra high speed flow rate (UH): 130L/min					

STANDARD SPECIFICATION

- **Construction**
galvanized or powder-painted carbon steel
- **Suction pumps**
Monoblock TATSUNO with gear pump, air separator and air sensor
- **Filter**
110 µm mesh input filter, 61 µm mesh output filter, stainless steel, reusable, easy to clean
- **Meters**
4 pistons volume meter TATSUNO
- **Pulsers**
Pulse transmitter TATSUNO 100 PPL (100 pulses per liter)
- **Motors**
Ex three-phase motor, 3 x 400 V / 50 Hz, 0.75 kW, 1395 rpm
- **Control valves**
Electromagnetic proportional valve +24 V DC
- **Hoses**
ZVA DN 16, DN 21 or DN 25
- **Nozzles**
Automatic ZVA SLIM LINE 2 or ZVA SLIM LINE 2 GR
- **Calculator**
TBELTx with electronic volume/amount totalizers for every dispensing nozzle
- **Displays**
LCD with LED backlight with 6 digits for amount and volume and 5 digits for unit price
- **Fuel types**
Petrol, Diesel, BioDiesel, Ethanol (E85)

OPTIONS

- Automatic temperature volume correction (ATC)
- Breakaway couplings
- Customised versions
- Electro-mechanical totalizers
- Flexible connection pipe
- Flexible hose suspension (HS)
- Foundation frame
- Graphics display with customer text messages (for model BMP 522.SX only)
- Housing – stainless steel
- Infra-red remote controller
- Main safety switch (TOTAL STOP)
- Payment terminal – integrated solution for wide range of terminals
- PDEX calculators with electronic volume/amount totalizers for every dispensing nozzle
- Pulse interface
- Satellite
- Sight glass
- Single phase supply
- Submersible version (remote dispenser)
- Ultra high speed flow rate 160 L/min with LOBE flow meter
- Vapour Recovery System
- Variable hose length
- Various colour performance
- Voice module
- Volume and amount preset function via push buttons
- Wide range of data line communication protocol converters
- 40/80 speed selection

Product images are for illustrative purposes only.

TATSUNO EUROPE A.S., PRAZSKA 68, 678 01 BLANSKO, THE CZECH REPUBLIC

PH.: +420 516 428 411 | FAX: +420 516 428 410 | E-MAIL: INFO@TATSUNO-EUROPE.COM | URL: WWW.TATSUNO-EUROPE.COM