

# BMP 500.S/LPG

ELECTRONIC DISPENSERS  
FOR DISPENSING OF LIQUEFIED  
PROPANE-BUTANE (LPG)



 **TATSUNO EUROPE a.s.**

The fuel dispenser BMP 500.S/LPG serves for dispensing liquefied propane-butane (LPG) into road vehicles on retail and commercial outlets.

BMP 500.S/LPG is progressive single or double sided fuel dispenser with one or two hoses for dispensing LPG.

BMP 500.S/LPG is equipped with the high quality Japanese hydraulic system TATSUNO and the reliable electronic calculator.

Simple and attractive design with durable materials in addition to precise components and countless configurations lasts longer and offers certain benefit to their users.



NEW DESIGN



HYDRAULICS TATSUNO  
(JAPAN)



GRAPHICS DISPLAYS



AUTOMATIC TEMPERATURE  
VOLUME CORRECTION



# BMP 500.S/LPG

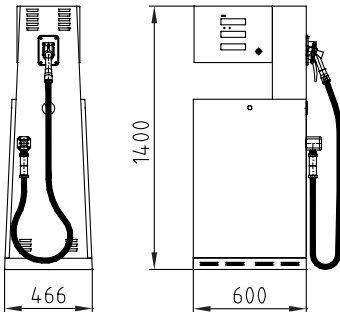
ELECTRONIC FUEL DISPENSERS



TATSUNO EUROPE a.s.

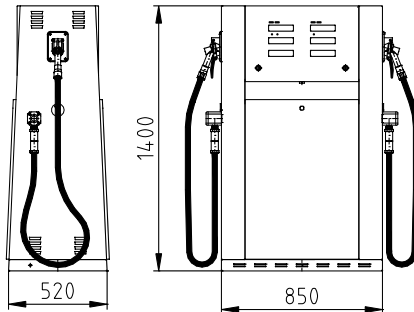
## BMP 500.S JUNIOR

BMP 511.SD/LPG

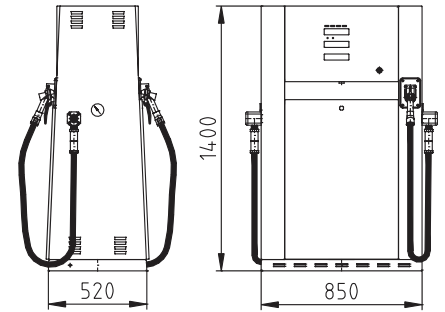


## BMP 500.SX ECONOMY

BMP 522.SXD/LPG – ZV1



BMP 522.SXD/LPG – ZV2



SINGLE-SIDED DISPENSERS BMP 500.S/LPG

Type	Inlets	Hoses/Performance
BMP 511.SL(R)/LPG	1	1 × 50 dm <sup>3</sup> /min
BMP 512.SXL(R)/LPG	1	2 × 35 dm <sup>3</sup> /min
BMP 522.SXL(R)/LPG – ZV1	2	2 × 50 dm <sup>3</sup> /min
BMP 522.SXL(R)/LPG – ZV2	2	2 × 50 dm <sup>3</sup> /min

DOUBLE-SIDED DISPENSERS BMP 500.S/LPG

Type	Inlets	Hoses/Performance
BMP 511.SD/LPG	1	1 × 50 dm <sup>3</sup> /min
BMP 512.SXD/LPG	1	2 × 35 dm <sup>3</sup> /min
BMP 522.SXD/LPG – ZV1	2	2 × 50 dm <sup>3</sup> /min
BMP 522.SXD/LPG – ZV2	2	2 × 50 dm <sup>3</sup> /min

## TECHNICAL & ENVIROMENTAL SPECIFICATION

Flow rates	Accuracy	Power supply	Ambient temperature	Temperature of fluid	Relative humidity	Maximum operating pressure	Minimum operating pressure
Standard speed flow rate: 50 dm <sup>3</sup> /min	± 0.5% with minimum dispensed volume 5 dm <sup>3</sup>	230V AC, 50 Hz	-20°C to + 50°C	-20°C to + 50°C	5 % to 95 % non condensing	1.8 MPa (18 bar)	0.7 MPa (7 bar)

## STANDARD SPECIFICATION

- **Construction**  
galvanized or powder-painted carbon steel
- **Meters**  
pistons volume meter TATSUNO
- **Filter**  
25 µm mesh input filter, stainless steel, reusable, easy to clean
- **Control valves**  
Electromagnetic proportional valve +24 V DC
- **Pulsers**  
Magnetic pulse transmitter TATSUNO ZE-1945 with electronic volume correction
- **Hoses**  
DN 16 with reach of 4.5 m
- **Nozzles**  
Automatic LPG Group
- **Fuel types**  
Liquefied propane-butane (LPG)
- **Calculator**  
TBELTx with electronic volume/amount totalizers for every dispensing nozzle
- **Displays**  
LCD with LED backlight with 6 digits for amount and volume and 5 digits for unit price
- **Breakaway couplings**

## OPTIONS

- Automatic temperature volume correction (ATC)
- Customised versions
- Electro-mechanical totalizers
- Foundation frame
- Graphics display with customer text messages (for model BMP 522.SX only)
- Housing – stainless steel
- Infra-red remote controller
- Main safety switch (TOTAL STOP)
- Payment terminal – integrated solution for wide range of terminals
- PDEX calculators with electronic volume/amount totalizers for every dispensing nozzle
- Pulse interface
- Sight glass
- Variable hose length
- Various colour performance
- Voice module
- Volume and amount preset function via push buttons
- Wide range of data line communication protocol converters

Product images are for illustrative purposes only.